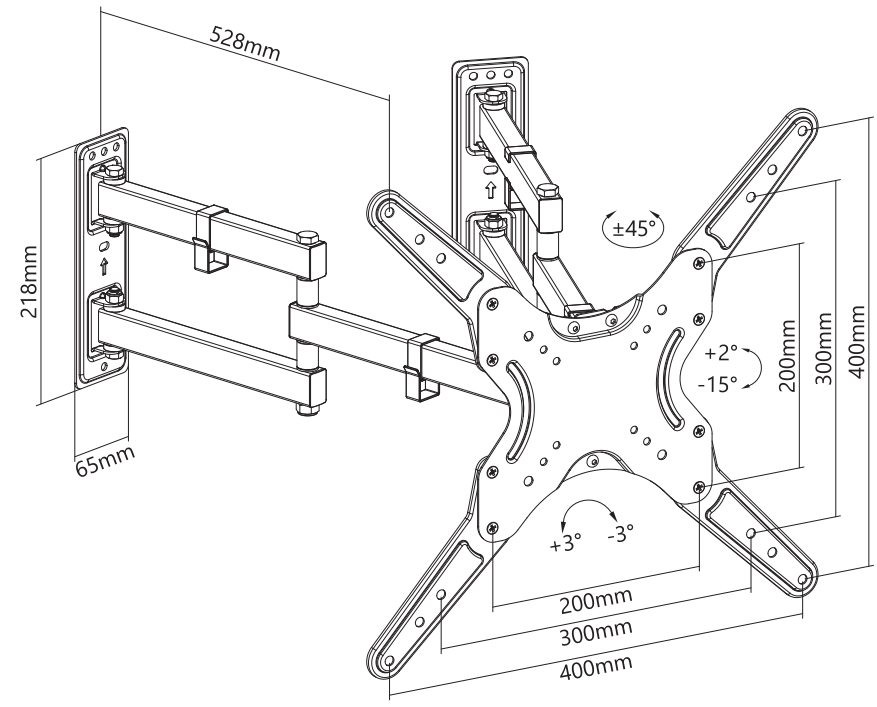


NOTE: ALL MATERIAL COMPLIANT ROHS STANDARD

REVISION INFORMATION			
Rev.	Rev. Date	Modified By	Brief Description



A (x1)	B (x1)	C (x2)	D (x2)	E (x3) M6	F (x8)	M-A (x4) M5x14	M-B (x4) M6x14	M-C (x4) M6x30	M-D (x4) M8x30	M-E (x4) M8x50
						M-F (x4) D6	M-G (x4) D8	M-H (x8)	M-I (x8)	
						W-A (x8) ST6.3x55	W-B (x8) Ø10x45	W-C (x8)		



NO.	PART NAME	SPECIFICATION DESCRIPTION	QT'Y	UNIT
③				
②				
①				

Unless specified on the drawing, tolerances are per the follows:
 .x +1
 .x +0.2
 .xx +0.05

DRAWN BY	DATE: 2021/3/26	DESCRIPTION: CORNER FULL-MOTION TV WALL MOUNT LPA63-446C	
CHECKED BY	SHEET 1of1	ITEM NO. 502887	
APPROVED BY	SCALE 1:1	REV. 00	UNIT:mm

